

KAYCAN

# Kaycan Aluminum Trim & Accessories

SKU: KYC-ALU-TRIM-ACC

## WARRANTY

Lifetime Limited Warranty

Kaycan Aluminum Trim & Accessories covers every finishing and trim detail for residential exteriors. The collection includes J-trims (1/2" and 1 1/8"), L trim, Super J trim, belt line, Kaylok Aluminum Starter Trim, starter strip, inside and outside corners, undersill trim, drip caps (standard, 2", 3"), reversible drip cap, 2-piece corners, large gable trim, trimboard drip cap, and 2-piece anti-rodent trim. The roofing and fascia lineup adds aluminum drip edges (2"–4"), 2" Eco Drip Edge, reversible drip edges (2x2, 3x3), special and regular eaves starters, aluminum roof edge, and fascias in 4", 6", 8", and 10" widths. Flat stock coils are available in standard, Matchcoat, HG, and Solmica PVC coated options in 24"–36" widths and 15m–50' lengths. All painted products are finished with Kaycan's proprietary Two-Coat system — thermo-setting acrylic primer followed by Polycoat 9000™ polyester topcoat, baked on and guaranteed not to flake or crack. Kaycan's coating has the lowest abrasive characteristic in the industry, with chrome-free processes and water-conservation programs. Backed by a Lifetime Limited Warranty. Distributed in Canada by Kaycan.

## Key Features

- Complete range of aluminum trims, fascias, and coil in one collection
- Belt line, starter strip, Kaylok Aluminum Starter Trim, and undersill trim
- Drip caps in standard, 2", and 3" profiles; reversible drip cap also available
- Aluminum drip edges in 2", 2 1/2", 3", and 4" widths — plus 2" Eco Drip Edge
- Aluminum fascias in 4", 6", 8", and 10" widths
- Two-Coat proprietary finish system — thermo-setting acrylic primer followed by Polycoat 9000™ polyester topcoat, baked on
- Chrome-free processes, water-conservation and waste minimization programs
- J-trims in 1/2" and 1 1/8" profiles; L trim and Super J trim
- Outside corner, inside corner, and 2-piece corner — all 9'-10" lengths
- Trimboard drip cap and large gable trim for specialty applications
- Reversible drip edges in 2x2 and 3x3; aluminum roof edge and eaves starters
- Flat stock coils: standard, Matchcoat, HG, and Solmica PVC coated options in 24"–36" widths
- Kaycan's coating has the lowest abrasive characteristic in the industry
- Backed by a Lifetime Limited Warranty

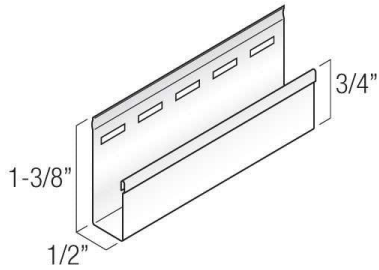
## Profiles & Specifications

### TRIM

Trims & Accessories

#### 1042

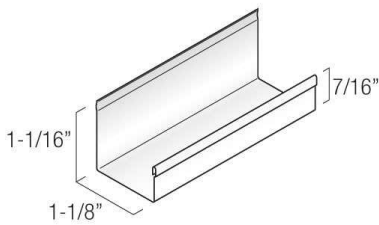
1/2" J Trim



Length	12'
Item #(s)	1042 (P1S), 1043 (P2S)
Qty / Ctn	50 pcs

#### 1050

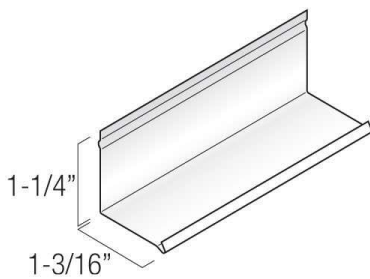
1 1/8" J Trim



Length	12'
Item #(s)	1050
Qty / Ctn	50 pcs

#### 1010

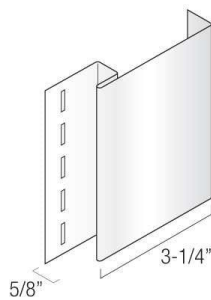
L Trim



Length	12'
Item #(s)	1010
Qty / Ctn	20 pcs

#### 1057

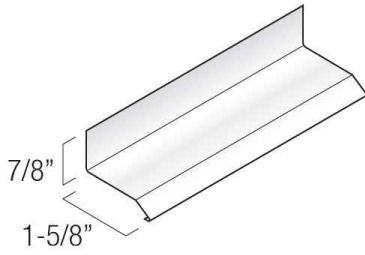
Super J Trim



Length	12'
Item #(s)	1057
Qty / Ctn	20 pcs

1180

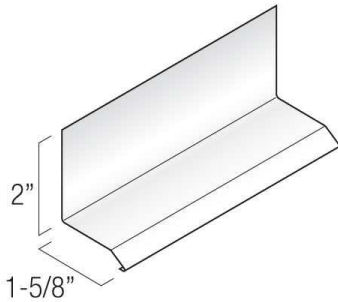
Drip Cap



Length	12'
Item #(s)	1180
Qty / Ctn	25 pcs

1181

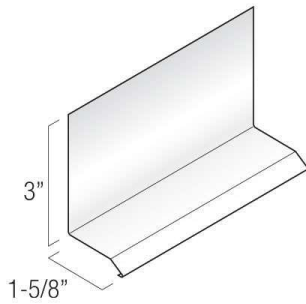
2" Drip Cap



Length	12'
Item #(s)	1181
Qty / Ctn	30 pcs

1184

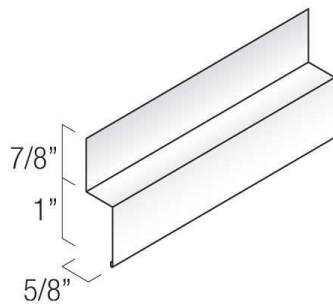
3" Drip Cap



Length	12'
Item #(s)	1184
Qty / Ctn	30 pcs

1170

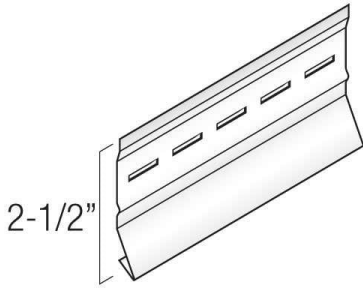
Belt Line



Length	12'
Item #(s)	1170
Qty / Ctn	30 pcs

1082

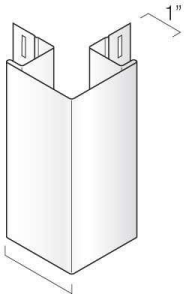
Kaylok Aluminum Starter Trim



Length	10'
Item #(s)	1082
Qty / Ctn	50 pcs

1100

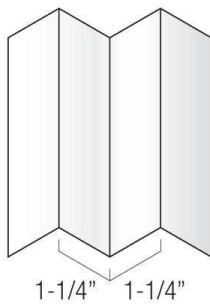
Outside Corner



Length	9'-10"
Item #(s)	1100
Qty / Ctn	10 pcs

1110

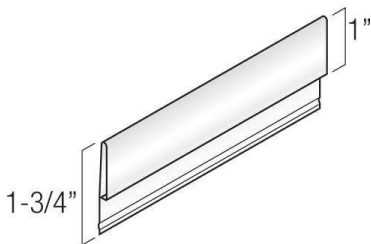
Inside Corner



Length	9'-10"
Item #(s)	1110
Qty / Ctn	10 pcs

1060

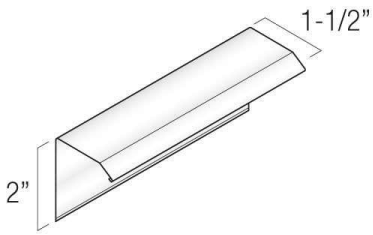
Undersill Trim



Length	12'
Item #(s)	1060
Qty / Ctn	20 pcs

1161

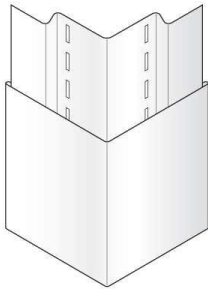
Reversible Drip Cap



Length	12'
Item #(s)	1161
Qty / Ctn	30 pcs

1113

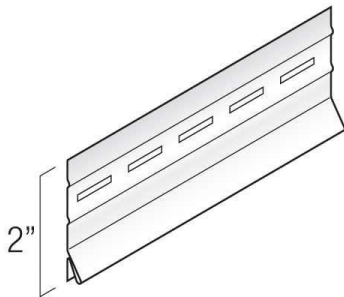
2-Piece Corner



Length	10'
Item #(s)	1113, 1112
Qty / Ctn	10 pcs

1081

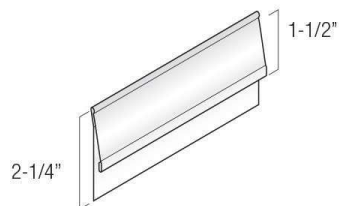
Starter Strip



Length	12'
Item #(s)	1081
Qty / Ctn	40 pcs

1270

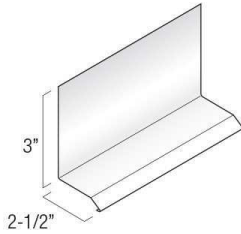
Large Gable Trim



Item #(s)	1270
Qty / Ctn	40 pcs

1286

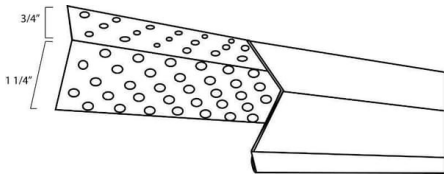
Trimboard Drip Cap



Length	12'
Item #(s)	1286
Qty / Ctn	20 pcs

7114

2pc Anti-Rodent Trim



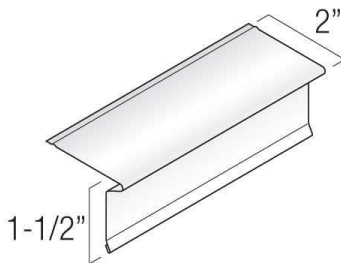
Length	10'
Item #(s)	7114, 711100
Qty / Ctn	30 pcs

ROOF

Roof Edges & Fascias

2091

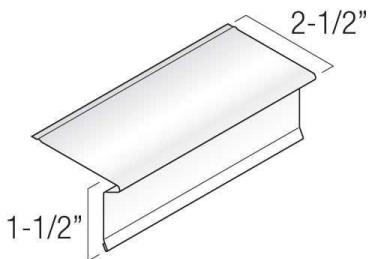
2" Aluminum Drip Edge



Length	9'-10"
Item #(s)	2091
Qty / Ctn	50 pcs

2099

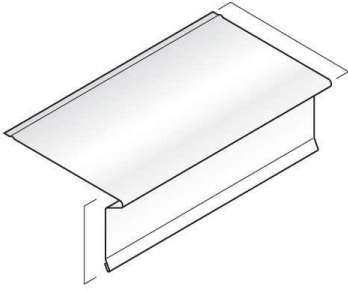
2 1/2" Aluminum Drip Edge



Length	9'-10"
Item #(s)	2099, 2100
Qty / Ctn	20-50 pcs

2084

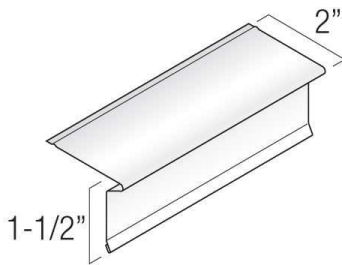
3" Aluminum Drip Edge



Length	9'-10"
Item #(s)	2084
Qty / Ctn	40 pcs

2089

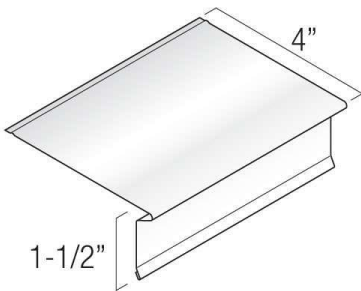
2" Eco Drip Edge



Length	9'-10"
Item #(s)	2089
Qty / Ctn	40 pcs

2092

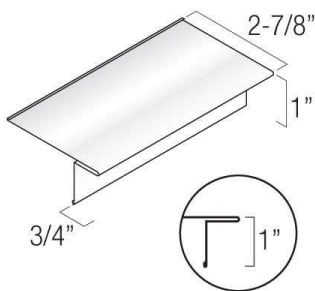
4" Aluminum Drip Edge



Length	9'-10"
Item #(s)	2092
Qty / Ctn	50 pcs

1086

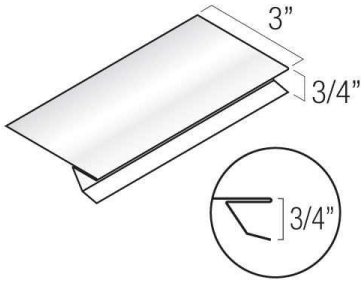
Special Eaves Starter



Length	9'-10"
Item #(s)	1086
Qty / Ctn	30 pcs

1084

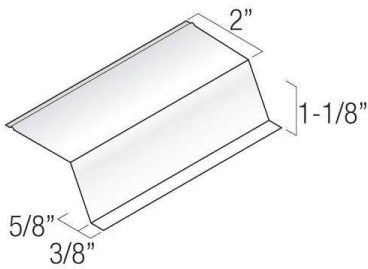
Regular Eaves Starter



Length	9'-10"
Item #(s)	1084
Qty / Ctn	24 pcs

2101

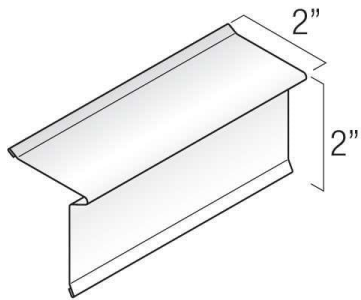
Aluminum Roof Edge



Length	9'-10"
Item #(s)	2101
Qty / Ctn	25 pcs

2086

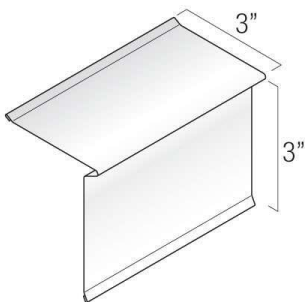
2" x 2" Reversible Drip Edge



Length	9'-10"
Item #(s)	2086
Qty / Ctn	50 pcs

2085

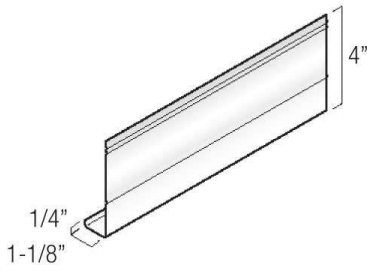
3" x 3" Reversible Drip Edge



Length	9'-10"
Item #(s)	2085
Qty / Ctn	40 pcs

0495

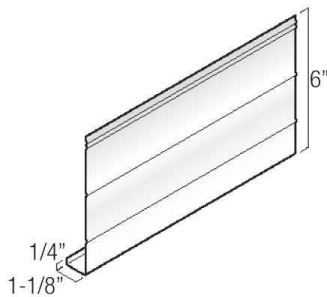
4" Fascia



Length	9'-10"
Item #(s)	0495
Qty / Ctn	40 pcs

0480

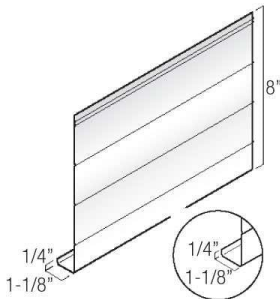
6" Fascia



Length	9'-10"
Item #(s)	0480
Qty / Ctn	20 pcs

0481

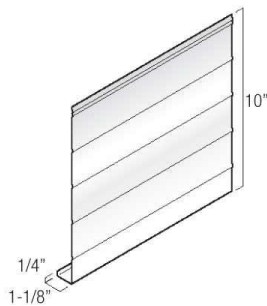
8" Fascia



Length	9'-10"
Item #(s)	0481
Qty / Ctn	20 pcs

0535

10" Fascia



Length	9'-10"
Item #(s)	0535
Qty / Ctn	20 pcs



# KAYCAN

## Ready to order?

Submit your spec list and we'll respond with pricing and availability - usually within one business day.

### WEB

[promaterials.ca](http://promaterials.ca)

### PHONE

(905) 836-7272

### EMAIL

[info@promaterials.ca](mailto:info@promaterials.ca)

### ADDRESS

Unit 5, 1235 Journey's End Cir, Newmarket, ON