

URBANIX™ COLLECTION  
KAYCAN

# Kaycan Urbanix™ Aluminum Cladding and Soffit Collection

SKU: KYC-URBANIX

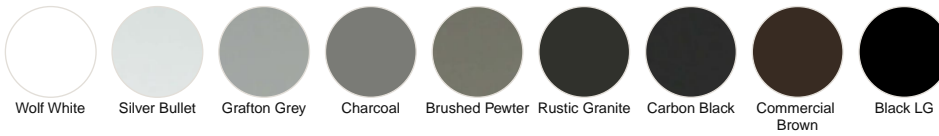
COLOURS  
13 available

Kaycan Urbanix™ is a premium 0.027-inch high tensile strength aluminum cladding and soffit system built for modern, contemporary exteriors. The smooth 6-inch profile installs horizontally or vertically and bends around corners for bold architectural statements — without the risk of rust or rot. Choose from 13 in-stock colours: 9 solid low-gloss tones and 4 authentic two-tone wood grain finishes. Cladding panels (Item #9920) and matching vented soffit (Item #9921) both come in 12-foot lengths at 96 sq ft per carton. Manufactured in Canada by Kaycan.

## Available Colours

### SOLID COLOURS

9 colours



### TWO-TONE WOOD TONES

4 colours

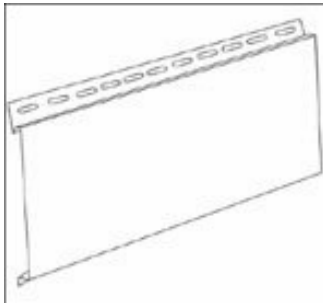


## Profiles & Specifications

9920

Urbanix™ 6" Smooth Panel

Premium 0.027" high tensile strength aluminum cladding panel with a smooth contemporary profile. 6" wide x 12' length. Installs horizontally or vertically and can be bent around corners. Available in 9 solid low-gloss colours and 4 two-tone wood tone finishes.

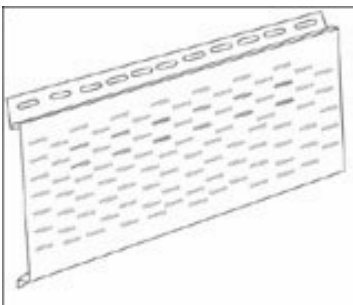


Thickness	0.027"
Material	High tensile strength aluminum
Orientation	Horizontal or vertical
Coverage	96 sq ft per carton (16 panels)
Colours	13 in-stock

9921

Urbanix™ Soffit 6" (Vented)

Matching vented soffit panel for the Urbanix™ collection. Same premium 0.027" high tensile strength aluminum as the cladding panel. 6" wide x 12' length. Coordinates with Urbanix siding for a unified exterior.



Thickness	0.027"
Material	High tensile strength aluminum
Type	Vented soffit
Coverage	96 sq ft per carton (16 panels)
Colours	13 in-stock

## Compatible Accessories

### Starter Strip (9926)

12' length

### J-Trim 3/8" (1029)

12' length

### H-Trim (9925)

10' length

### Outside Corner (9924)

10' length

### Aluminum Flatstock (0747)

23.75" x 0.023" x 100 ft roll



KAYCAN

## Ready to order?

Submit your spec list and we'll respond with pricing and availability - usually within one business day.

**WEB**

[promaterials.ca](http://promaterials.ca)

**PHONE**

(905) 836-7272

**EMAIL**

[info@promaterials.ca](mailto:info@promaterials.ca)

**ADDRESS**

Unit 5, 1235 Journey's End Cir, Newmarket, ON